



MUSCLE 3 SERIES



VOLTS

Installation Instructions

Part No: SG32250
2 inch-52mm

v20230508

Important notes before installing:

- Installing this product to your vehicle may require an adaptor. SAAS offer a large range of adaptors and installation parts; please check with your SAAS dealer for available adaptors.
- SAAS Muscle series gauges are designed for **12volt** systems **ONLY!**
- All installation work should be done by a qualified professional to avoid damage to this product.
- SAAS **RECOMMENDS** all products be tested prior to installation. This will save time and speed up the troubleshooting process if you encounter any issues.

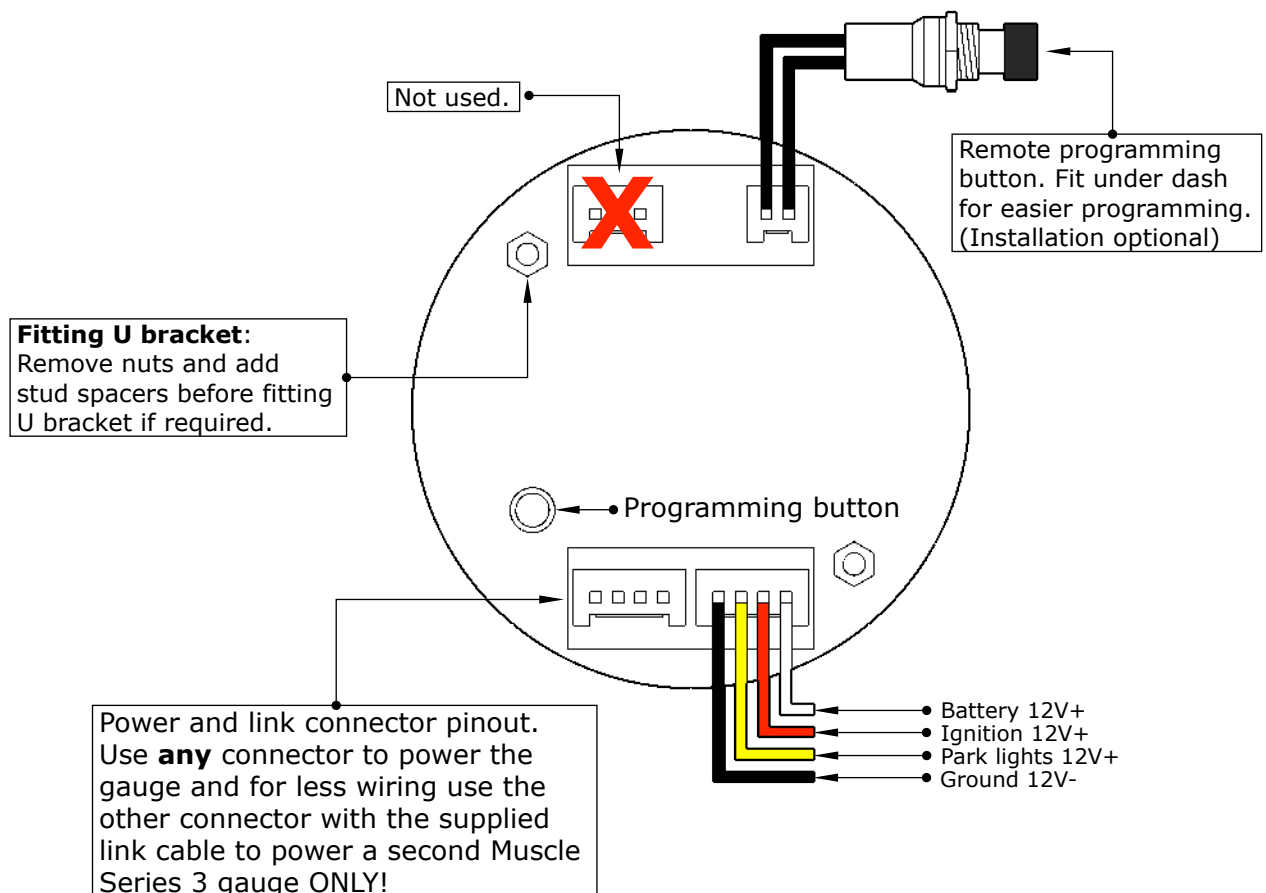
- **BEFORE** installing, please check our website (shopsaas.com) for the latest fitting instructions. If the top left corner (**v**) number is different to website, please use instructions from website.

Wiring Guide:

| Wire colour | Wire Function | Wire Connection Location |
|-------------|------------------|--|
| Black | Ground 12V- | Vehicle body |
| Yellow | Park lights 12V+ | Park light circuit (do NOT connect to a dimmer) |
| White | Battery 12V+ | Ignition harness / Fuse box |
| Red | Ignition 12V+ | Ignition harness / Fuse box |

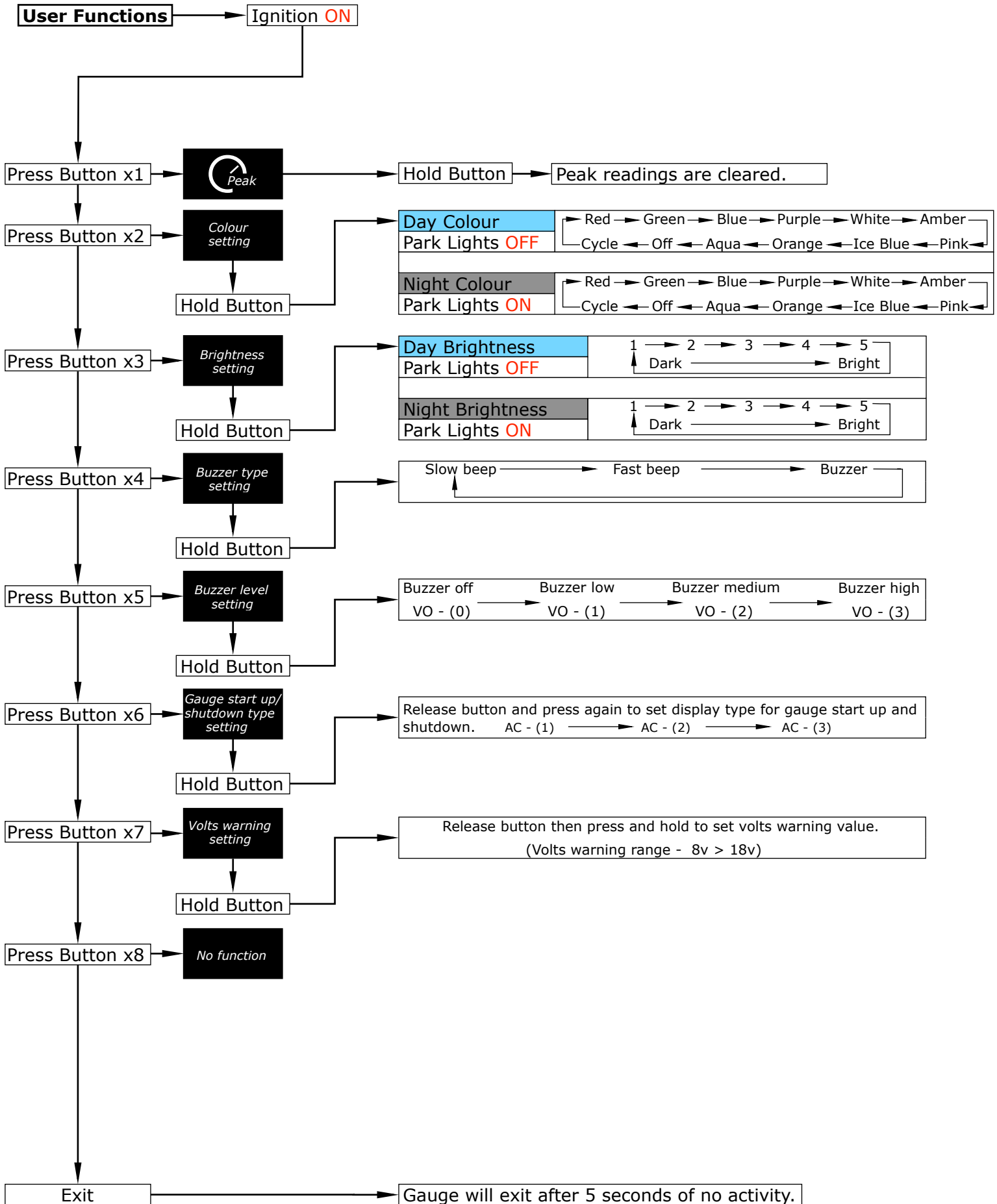
Wiring Diagram

Typical Layout



User Functions:

Note: Use the remote programming button or the button on the back of the gauge to set the below functions.



Troubleshooting:

Please note: If you are having problems with the installation of this product, please do not contact your retailer or SAAS until you have read **ALL** the troubleshooting notes below.

| Problem | Possible Cause | Solution |
|-----------------------------------|-----------------------------|--------------------------------------|
| -no power | -incorrect wiring | -refer to fitting instructions |
| -gauge beeps and flashes randomly | -warning function activated | -adjust warning settings accordingly |

Contents:

| In The Box | Qty | Notes | Part No. |
|---|-----|-----------------|----------|
| Volts gauge | 1 | | |
| Remote programming button | 1 | | SG4106 |
| Gauge power connector | 1 | | SG5100 |
| Gauge link connector | 1 | | SG9101 |
| Mounting U bracket with studs, nuts and washers | 1 | (M4x0.7 thread) | SG61005 |
| Fitting instructions | 1 | | |

GAUGE INFORMATION

Specifications

| | |
|-----------------------------------|--|
| Gauge operating range | 8v > 18v |
| Gauge operating voltage | 8v > 18v |
| Gauge lighting type | 10 colour LED with 5 levels of brightness |
| Gauge lighting colours | red - green - blue - purple - white - amber - pink - ice blue - orange - aqua - OFF - cycle mode |
| Gauge power harness length | 1 metre |
| Gauge link harness length | 300mm |
| Mounting depth required for gauge | 45mm (minimum) |
| Total depth of gauge | 50mm (including bezel) |
| Mounting hole size for gauge | 52mm |

For further assistance email: tech@saasautomotive.com.au

Warranty Terms & Conditions:

SAAS Automotive Pty Ltd warrants this product against defects in factory workmanship and materials for a period of twelve (**12**) months from the date of original purchase. This warranty applies to the first retail purchaser, is non-transferable and covers only where the product has been subjected to normal use or service. Provision of this warranty shall not apply to any SAAS Automotive product that has been used for a purpose for which it is not designed, or which has been altered in any way that would be detrimental to the performance or life of the product, or misapplication, misuse, negligence or accident. Warranty claims to the manufacturer must be transportation prepaid and accompanied with dated proof of purchase. On any part or product found to be defective after examination by SAAS Automotive Pty Ltd, SAAS Automotive Pty Ltd will only repair or replace the merchandise through the original selling dealer or on a direct basis. SAAS Automotive Pty Ltd assumes no responsibility for diagnosis, removal and/or installation labour, loss of vehicle use, loss of time, inconvenience or any other consequential expenses. The warranties herein are in lieu of any other expressed or implied warranties, including any implied warranty of suitability, and any other obligation on the part of SAAS Automotive Pty Ltd, or the selling dealer.

For further assistance email: tech@saasautomotive.com.au



SINCE 1954

SAAS Automotive PTY LTD
25 Metrolink Circuit West, Campbellfield,
Victoria 3061 Australia
ABN: 48166279670
ACN: 166279670
Phone: +61 3 9930 0100
Fax: +61 3 8339 2270
Email: tech@saasautomotive.com.au
Web: www.shopsaas.com