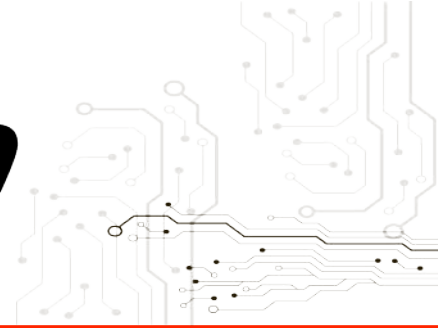




SINCE 1954

MUSCLE 3 SERIES



CLOCK

Part No: SG32294
2 inch-52mm

Installation Instructions

v20230530

Important notes before installing:

- Installing this product to your vehicle may require an adaptor. SAAS offer a large range of adaptors and installation parts; please check with your SAAS dealer for available adaptors.
- SAAS Muscle series gauges are designed for **12volt** systems **ONLY!**
- All installation work should be done by a qualified professional to avoid damage to this product.
- SAAS **RECOMMENDS** all products be tested prior to installation. This will save time and speed up the troubleshooting process if you encounter any issues.

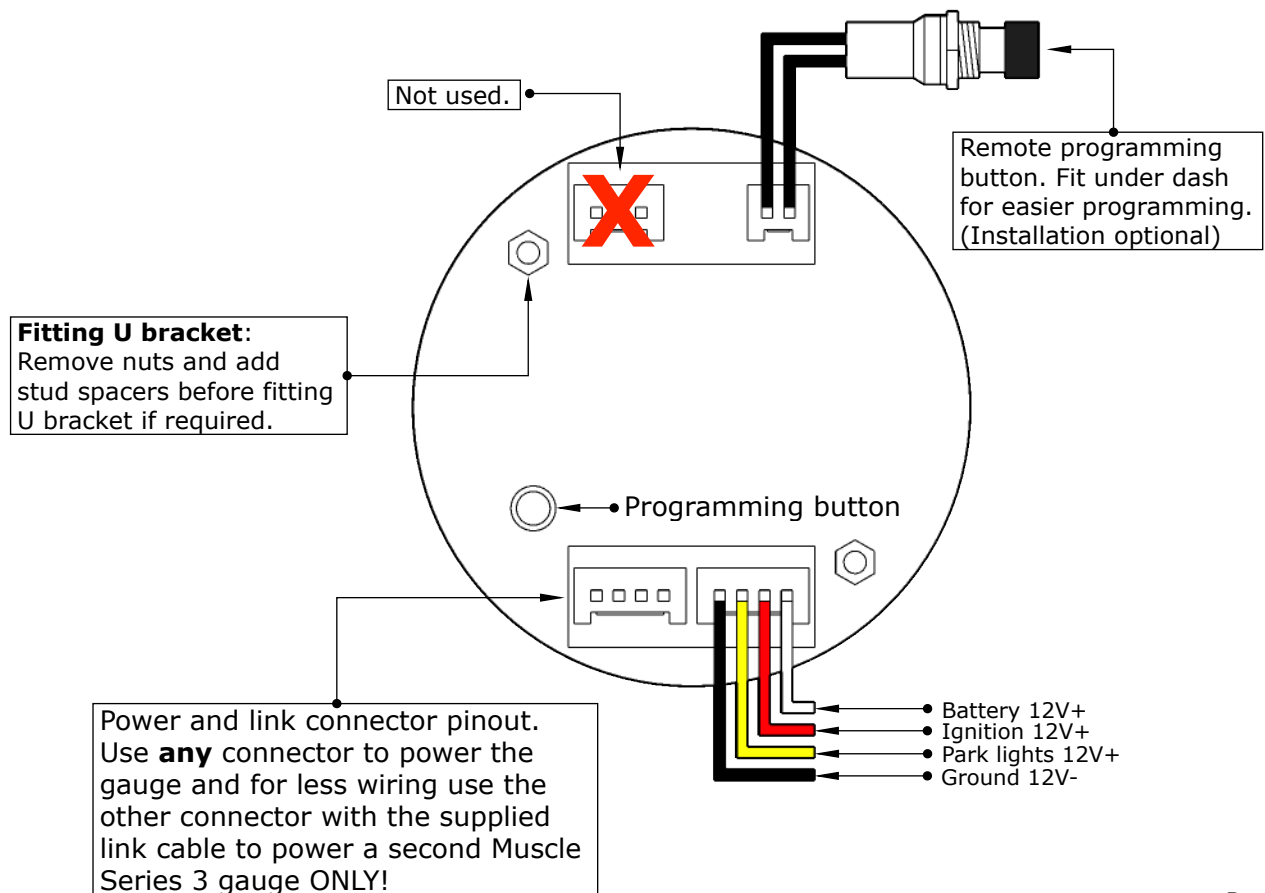
- **BEFORE** installing, please check our website (shopsaas.com) for the latest fitting instructions. If the top left corner (**v**) number is different to website, please use instructions from website.

Wiring Guide:

Wire colour	Wire Function	Wire Connection Location
Black	Ground 12V-	Vehicle body
Yellow	Park lights 12V+	Park light circuit (do NOT connect to a dimmer)
White	Battery 12V+	Ignition harness / Fuse box
Red	Ignition 12V+	Ignition harness / Fuse box

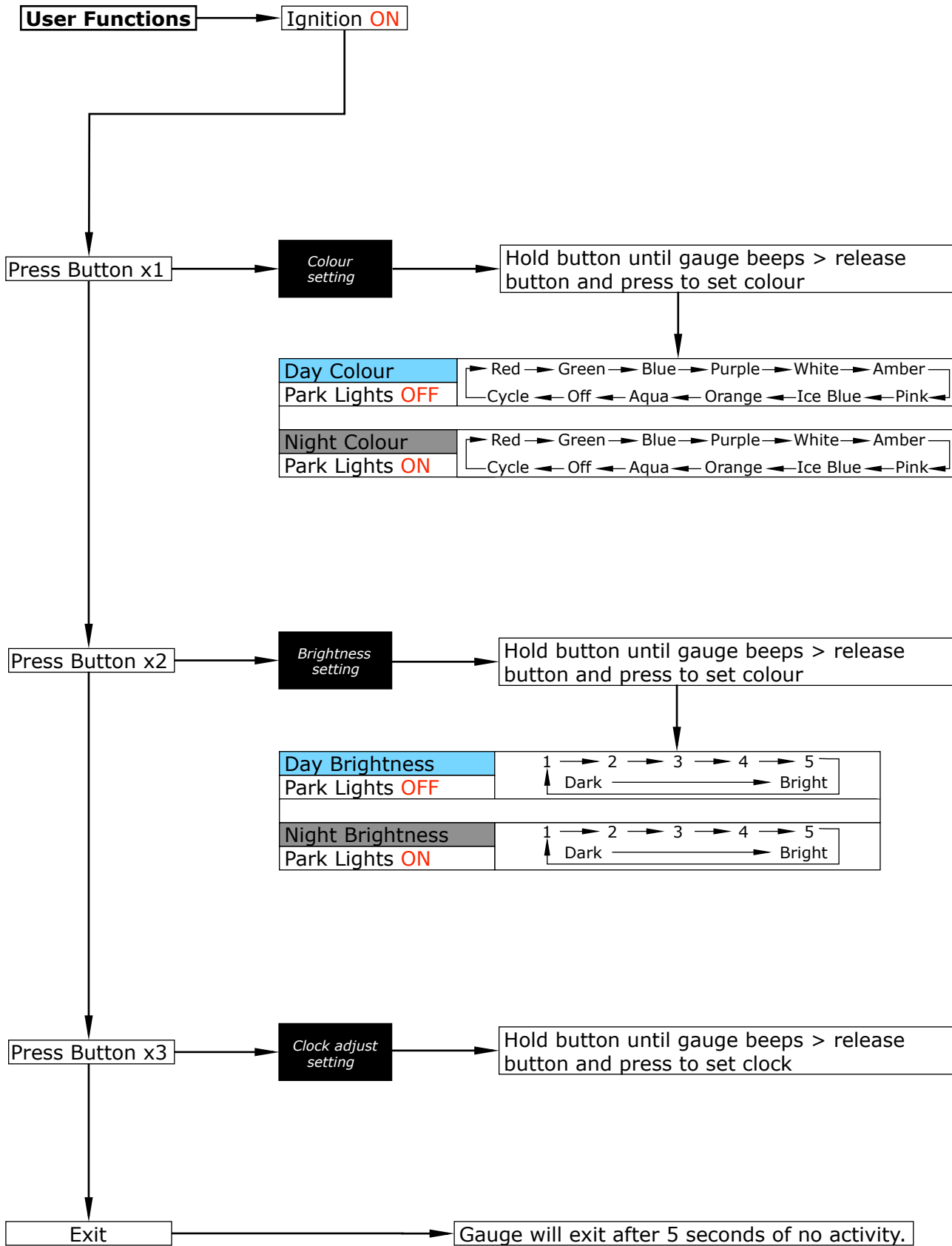
Wiring Diagram

Typical Layout



User Functions:

Note: Use the remote programming button or the button on the back of the gauge to set the below functions.



GAUGE INFORMATION

Specifications

Operating range	8V+ to 18V+
Gauge lighting type	10 colour LED with 5 levels of brightness
Gauge lighting colours	red - green - blue - purple - white - amber - pink - ice blue - orange - aqua - OFF - cycle mode
Current draw	0.02A - standby mode (ignition off)
Gauge power harness length	1 metre
Gauge link harness length	300mm
Programming button length	1 meter
Mounting depth required for gauge	50mm (minimum)
Total depth of gauge	55mm (including bezel)
Mounting hole size (52mm gauges)	52mm

Contents:

In The Box	Qty	Notes	Part No.
Clock gauge	1		
Gauge power connector	1		SG5100
Gauge link connector	1		SG9101
Programming button	1		SG4106
Mounting U bracket	1		SG61005
Mounting U bracket studs (M4x0.7 thread)	2		
Mounting U bracket nuts	2		
Fitting instructions	1		

Troubleshooting:

Please note: If you are having problems with the installation of this product, please do not contact your retailer or SAAS until you have read **ALL** the troubleshooting notes below.

Problem	Possible Cause	Solution
-gauge not reading	-bad connection	-check wiring for bad connections or wire gauge directly to a battery to test
	-gauge has been dropped	-replace gauge
-no back lighting	-incorrect wiring	-refer to fitting instructions
	-back light colour is set to off	-refer to user functions
	-connected to a dimmer	-refer to fitting instructions
-clock won't adjust	-incorrect wiring	-refer to fitting instructions
	-programming button not connected or damaged	-connect button or check button for normal operation with a multimeter

For further assistance email: tech@saasautomotive.com.au

Warranty Terms & Conditions:

SAAS Automotive Pty Ltd warrants this product against defects in factory workmanship and materials for a period of twelve (**12**) months from the date of original purchase. This warranty applies to the first retail purchaser, is non-transferable and covers only where the product has been subjected to normal use or service. Provision of this warranty shall not apply to any SAAS Automotive product that has been used for a purpose for which it is not designed, or which has been altered in any way that would be detrimental to the performance or life of the product, or misapplication, misuse, negligence or accident. Warranty claims to the manufacturer must be transportation prepaid and accompanied with dated proof of purchase. On any part or product found to be defective after examination by SAAS Automotive Pty Ltd, SAAS Automotive Pty Ltd will only repair or replace the merchandise through the original selling dealer or on a direct basis. SAAS Automotive Pty Ltd assumes no responsibility for diagnosis, removal and/or installation labour, loss of vehicle use, loss of time, inconvenience or any other consequential expenses. The warranties herein are in lieu of any other expressed or implied warranties, including any implied warranty of suitability, and any other obligation on the part of SAAS Automotive Pty Ltd, or the selling dealer.

For further assistance email: tech@saasautomotive.com.au



SINCE 1954

SAAS Automotive PTY LTD
25 Metrolink Circuit West, Campbellfield,
Victoria 3061 Australia
ABN: 48166279670
ACN: 166279670
Phone: +61 3 9930 0100
Fax: +61 3 8339 2270
Email: tech@saasautomotive.com.au
Web: www.shopsaas.com