



## Quick Fit (Plug&Play) Harness

Part No: SGH6003

v20190416

### Installation Instructions

#### Important notes before installing:

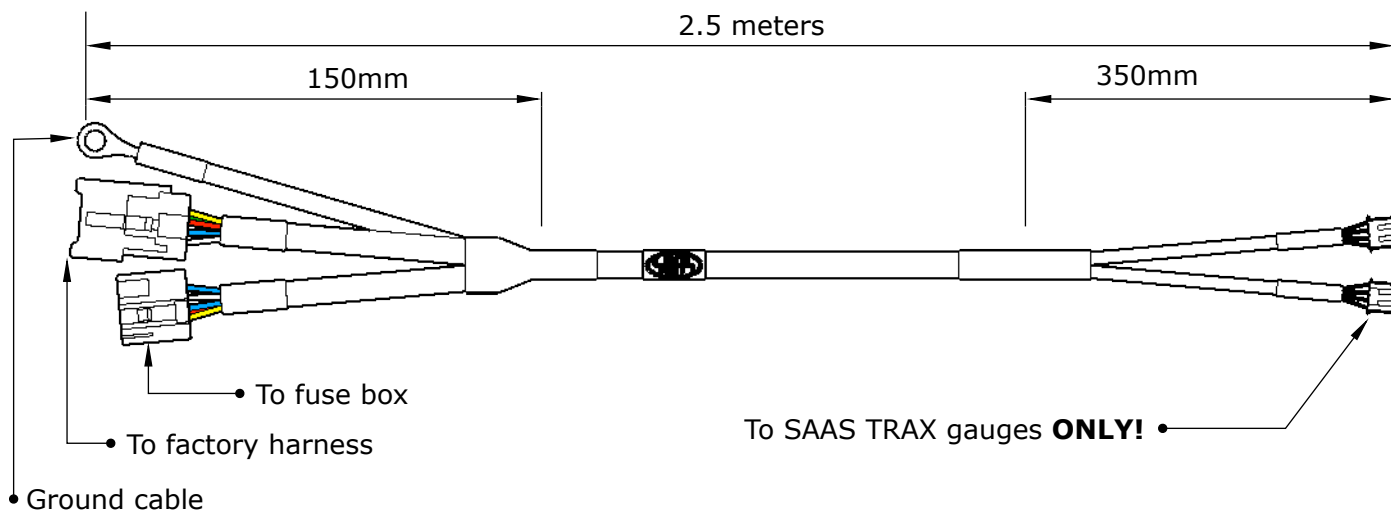
- Quick Fit harnesses are designed to power up gauges only! Any additional sensors that come with your gauges must also be installed. This fitting guide is to be used in conjunction with your gauge fitting instructions.
- **Tip:** Before you install this harness please check that the (2) gauge connectors are the correct type for your SAAS gauge series.
- **CAUTION:** All connectors should be plugged in **slowly** to prevent any damage to the pins and terminals and never pull on the wiring when disconnecting connectors!

#### Fitting Steps:

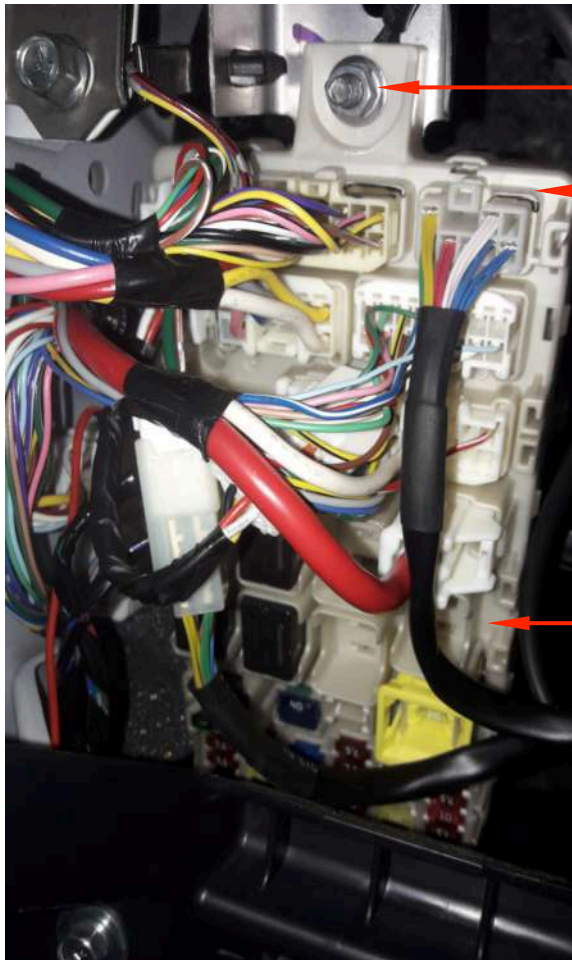
- **Step 1:** Make sure the car key is in the "OFF" position.
- **Step 2:** Remove the glove box to access the top of the cabin fuse box.
- **Step 3:** Unplug the top right 8 pin connector from the fuse box and replace it with the same connector from your Quick Fit harness. **See diagram on back.**
- **Step 4:** Plug the other end of your Quick Fit harness back into the connector you just pulled out and then connect the ground wire to the top or bottom mounting bolts of the fuse box.
- **Step 5:** Plug your gauges in and check that they power up correctly. If your gauges fail to power up check the cabin and engine bay fuse boxes for any blown or missing fuses.
- **Step 6:** Run your gauge harness to your desired location and cable tie any loose wiring to prevent damage to the harness!

### Wiring Diagram

#### Typical Layout



## Harness Location:



Ground cable location.

Harness location.  
(USE THIS CONNECTOR ONLY!!)

Fuse box behind glove box.

## Warranty Terms & Conditions:

SAAS Automotive Pty Ltd warrants this product against defects in factory workmanship and materials for a period of twelve (12) months from the date of original purchase. This warranty applies to the first retail purchaser, is non-transferable and covers only where the product has been subjected to normal use or service. Provision of this warranty shall not apply to any SAAS Automotive product that has been used for a purpose for which it is not designed, or which has been altered in any way that would be detrimental to the performance or life of the product, or misapplication, misuse, negligence or accident. Warranty claims to the manufacturer must be transportation prepaid and accompanied with dated proof of purchase. On any part or product found to be defective after examination by SAAS Automotive Pty Ltd, SAAS Automotive Pty Ltd will only repair or replace the merchandise through the original selling dealer or on a direct basis. SAAS Automotive Pty Ltd assumes no responsibility for diagnosis, removal and/or installation labour, loss of vehicle use, loss of time, inconvenience or any other consequential expenses. The warranties herein are in lieu of any other expressed or implied warranties, including any implied warranty of suitability, and any other obligation on the part of SAAS Automotive Pty Ltd, or the selling dealer.

**For Further Assistance Email: [tech@saasautomotive.com.au](mailto:tech@saasautomotive.com.au)**



SINCE 1954

SAAS Automotive PTY LTD  
25 Metrolink Circuit West, Campbellfield,  
Victoria 3061 Australia

ABN: 48166279670  
ACN: 166279670

Phone: +61 3 9930 0100  
Fax: +61 3 8339 2270  
Email: [tech@saasautomotive.com.au](mailto:tech@saasautomotive.com.au)  
Web: [www.shopsaas.com](http://www.shopsaas.com)