

VF - VFII COMMODORE DASH POD

Part No: SGP5107

v20220111

Installation Instructions

Important notes before installing:

- All installation work should be done by a qualified professional to avoid damage to this product.
- This product is supplied raw with a brushed surface finish and may discolour or warp if exposed to direct sunlight for long periods. To avoid this SAAS recommends colour matching this product to suit your vehicle's interior and using a **SUN SHADE** to protect the dash pod and gauges from extreme heat. (See below for painting tips)

Fitting Steps:

- 1 Using a suitable trim tool, lift the factory dash trim up from the side slowly and remove.

- 2 If you wish to retain the factory dash speaker, drill a series of 5mm holes at the back of the dash pod before installing. See example below.

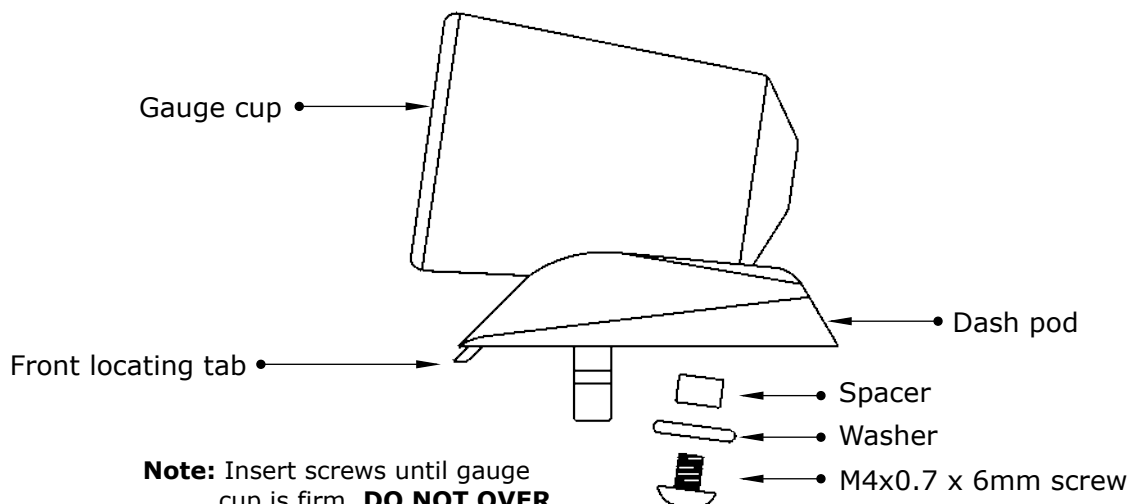
- 3 Assemble the gauge cups using the diagram below. Before fitting the dash pod in place, please make sure the front locator tab sits under the dash before pressing it down.



Fitting and Painting Tips:

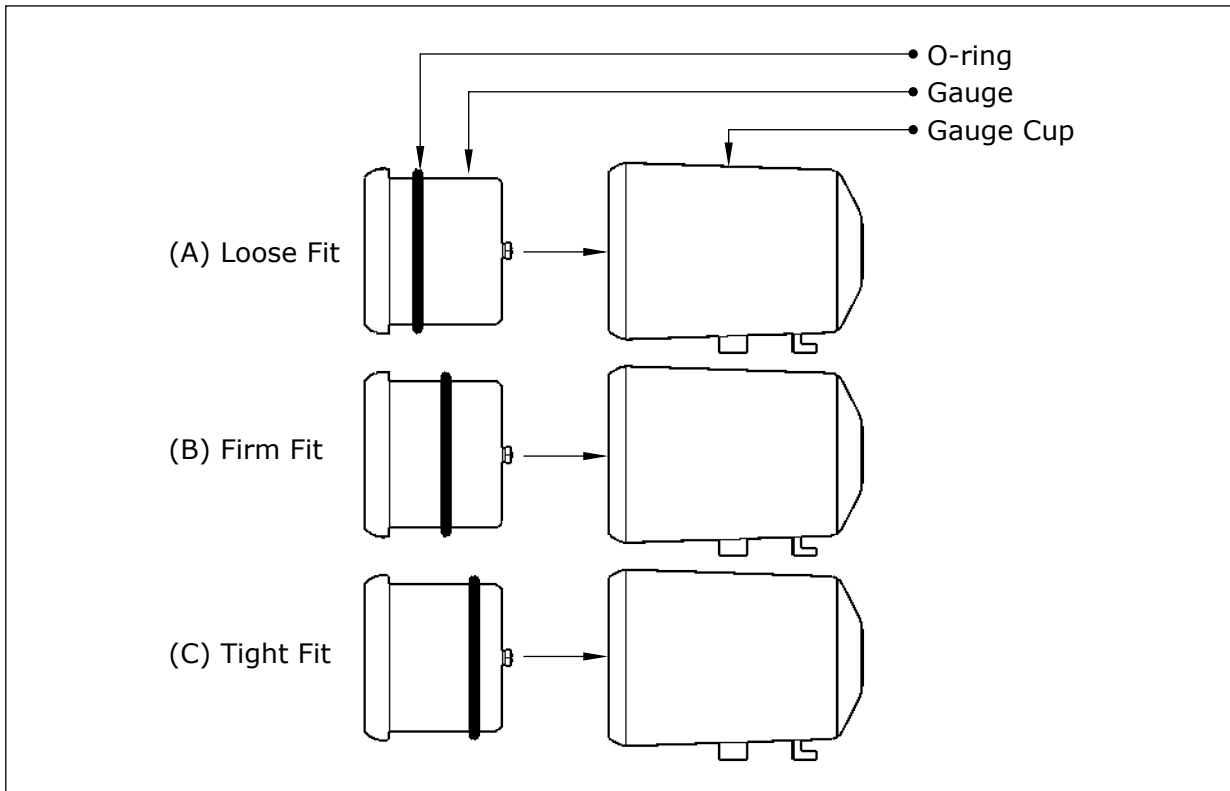
- Always test fit products before painting!
- For best painting results, use a scotch pad to lightly scuff the surface, then clean with a wax and grease remover before applying a plastic primer and then your colour.

Dash Pod Assembly:



Installing Gauges to Cups:

- The supplied o-rings (one for each gauge) are used to fit gauges to cups. The placement of the o-ring will determine how tight the gauge will sit in the cup. (refer to diagram)



Warranty Terms & Conditions:

SAAS Automotive Pty Ltd warrants this product against defects in factory workmanship and materials for a period of twelve (**12**) months from the date of original purchase. This warranty applies to the first retail purchaser, is non-transferable and covers only where the product has been subjected to normal use or service. Provision of this warranty shall not apply to any SAAS Automotive product that has been used for a purpose for which it is not designed, or which has been altered in any way that would be detrimental to the performance or life of the product, or misapplication, misuse, negligence or accident. Warranty claims to the manufacturer must be transportation prepaid and accompanied with dated proof of purchase. On any part or product found to be defective after examination by SAAS Automotive Pty Ltd, SAAS Automotive Pty Ltd will only repair or replace the merchandise through the original selling dealer or on a direct basis. SAAS Automotive Pty Ltd assumes no responsibility for diagnosis, removal and/or installation labour, loss of vehicle use, loss of time, inconvenience or any other consequential expenses. The warranties herein are in lieu of any other expressed or implied warranties, including any implied warranty of suitability, and any other obligation on the part of SAAS Automotive Pty Ltd, or the selling dealer.

For further assistance email: tech@saasautomotive.com.au



SINCE 1954

SAAS Automotive PTY LTD
25 Metrolink Circuit West, Campbellfield,
Victoria 3061 Australia

ABN: 48166279670
ACN: 166279670

Phone: +61 3 9930 0100
Fax: +61 3 8339 2270
Email: tech@saasautomotive.com.au
Web: www.shopsaas.com