

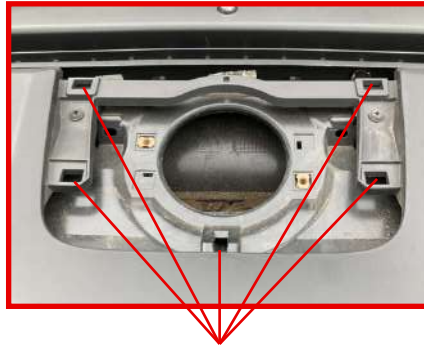
Important notes before installing:

1. All installation work should be done by a qualified professional to avoid damage to this product.
2. SAAS has tried to ensure the product matches the colour of the VE commodore interior, however some variation in colour may occur.
3. This gauge dash pod may discolour or warp if exposed to direct sunlight for long periods. To avoid this, SAAS recommends using a sun shade to protect the dash pod and gauges from extreme heat.

FITTING STEPS



1. Carefully remove the centre dash panel from the back using a suitable tool.



2. Make sure all of the white clips have been removed.



3. Attach the supplied clips to the underside of the gauge dash pod. (See assembly diagram).



4. Install the gauges into the gauge dash pod.

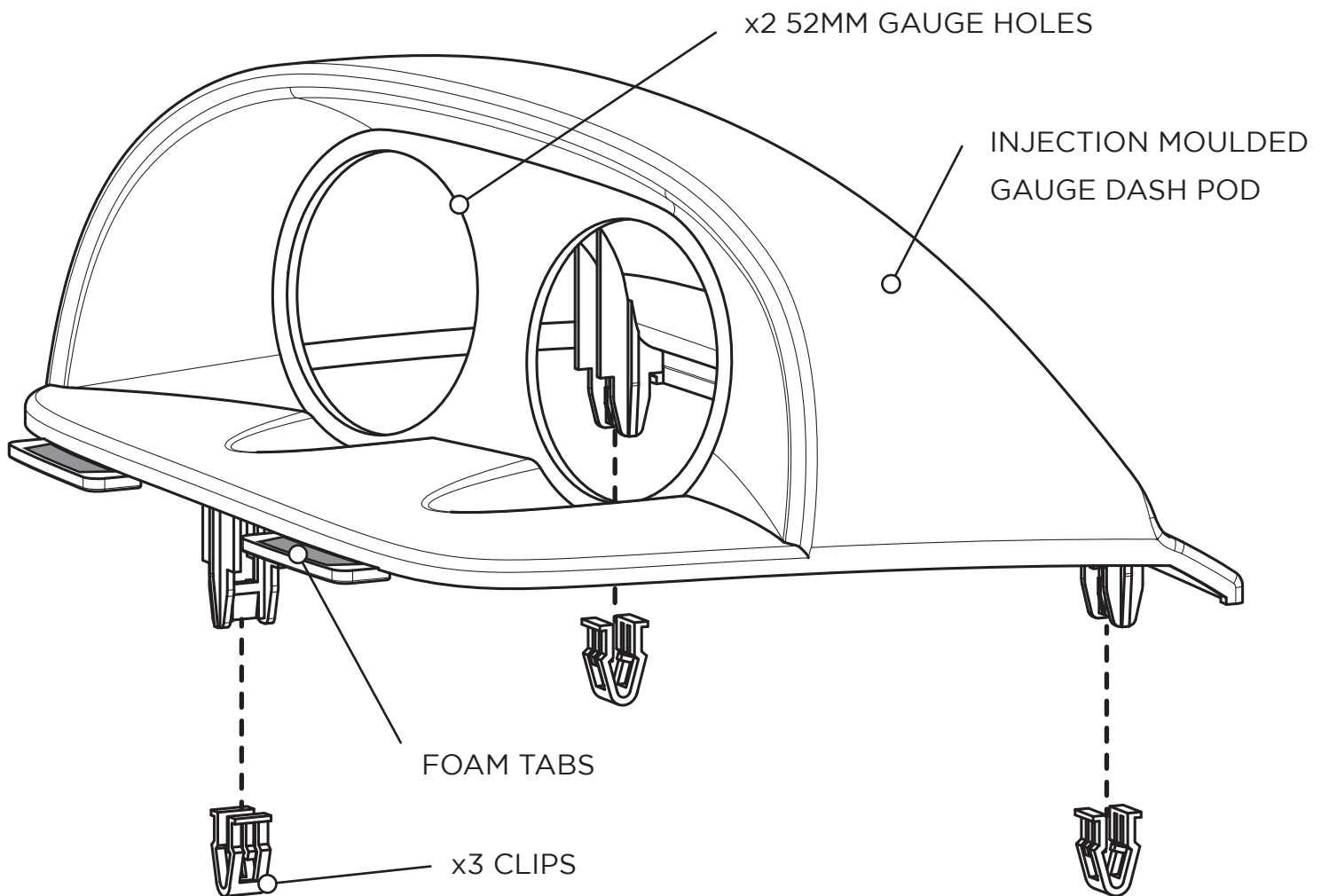


5. While open, proceed to wire the gauges into the vehicle.



6. Gently and evenly push the new gauge dash pod into position ensuring the clips lock into place.

GAUGE DASH POD ASSEMBLY



WARRANTY TERMS & CONDITIONS

SAAS Automotive Pty Ltd warrants this product against defects in factory workmanship and materials for a period of twelve (12) months from the date of original purchase. This warranty applies to the first retail purchaser, is non-transferable and covers only where the product has been subjected to normal use or service. Provision of this warranty shall not apply to any SAAS Automotive product that has been used for a purpose for which it is not designed, or which has been altered in any way that would be detrimental to the performance or life of the product, or misapplication, misuse, negligence or accident. Warranty claims to the manufacturer must be transportation prepaid and accompanied with dated proof of purchase. On any part or product found to be defective after examination by SAAS Automotive Pty Ltd, SAAS Automotive Pty Ltd will only repair or replace the merchandise through the original selling dealer or on a direct basis. SAAS Automotive Pty Ltd assumes no responsibility for diagnosis, removal and/or installation labour, loss of vehicle use, loss of time, inconvenience or any other consequential expenses. The warranties herein are in lieu of any other expressed or implied warranties, including any implied warranty of suitability, and any other obligation on the part of SAAS Automotive Pty Ltd, or the selling dealer.